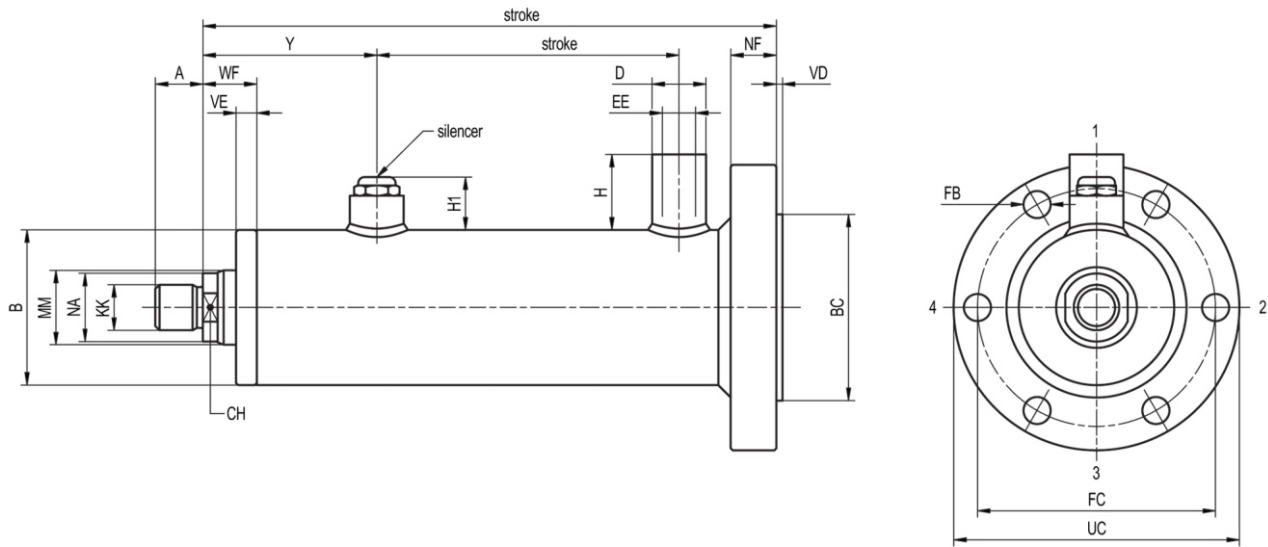


ME18 MF

single acting hydraulic cylinders with piston



All dimensions are in millimetres.

Piston Ø	MM Ø	A	B Ø	CH	D Ø	EE	KK	NA Ø	WF	VE	Y	PJ	ZJ	H1	H *
40	22/28	16	50	17	26	G 3/8	M 16×1,5	20	25	10	69	42	137	23	42
50	28/36	16	60	22	26	G 3/8	M 16×1,5	25	25	10	75	45	150	23	42
63	36/45	23	75	30	26	G 3/8	M 22×1,5	34	26	10	87	48	165	23	42
80	50	35	90	36	26	G 3/8	M 35×1,5	40	27	10	77	56	163	23	42
100	50/70	45	115	46	30	G 1/2	M 45×1,5	48/50	27	10	77	60	167	23	48
125	63/70	58	145	60	30	G 1/2	M 58×1,5	62/65	32	10	77	65	172	23	48
160	80	65	180	65	38	G 3/4	M 65×1,5	75	40	12	122	70	233	23	57

* Block valve can be mounted into the attachment.

Piston Ø	ZP	VD	NF	BC Ø e8	FC	UC	FB
40	142	3	14	65	85	104	11
50	158	3	17	75	95	118	11
63	177	3	22	90	115	135	13
80	178	3	27	115	145	178	17
100	184	3	32	140	170	205	17
125	187	3	35	165	205	245	21
160	240	3	40	225	275	335	30

